

ATLAS PACIFIC STANDARD PEAR PEELER

MANUFACTURED BY: ATLAS PACIFIC ENGINEERING COMPANY • PUEBLO, COLORADO USA • 719.948.3040 • FAX 719.948.3058

ATLAS PACIFIC
ENGINEERING  **COMPANY, INC.**



View of feed cup, core tube and cutters

STANDARD PEAR PEELER

Machine Operation

Requiring only one operator, the Atlas Pacific Standard Pear Peeler removes the stem and blossom end, cores, seed cells and peels the fruit – in simultaneous operations – to produce 66 processed pears per minute. The rotary peeling heads are uniquely designed to peel from the inside out – both to remove blemishes and to peel the skins in micro-thin ribbons to assure maximum retention of fruit flavor – and are separately powered by a 1/4 HP (.37 kw) motor to maintain a constant peeling speed. In addition, the Standard Pear Peeler can be adjusted during operation to control both seed cell depth and calyx trim, and is designed with three sets of quick-change cups to accommodate fruit of different size.

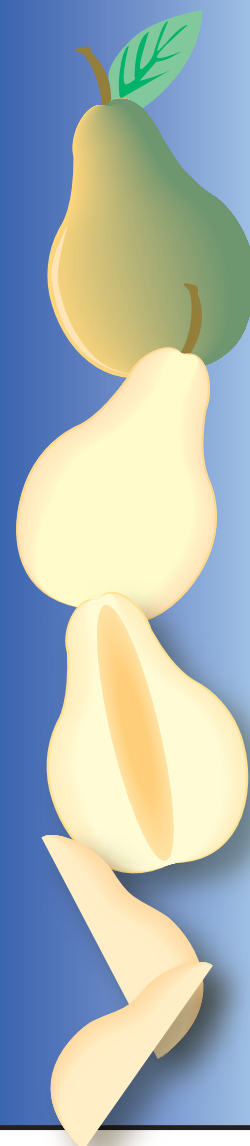
The operation of the Standard Pear Peeler is fast and efficient: with the manual fed machine, a single operator places six pears stem-end down in self-centering cups; the fruit is gently held in position by four mechanical fingers as it tips forward and is impaled on the core tube; the feed cups instantly return and remain stationary to allow the operator ample time for reloading. Meanwhile, in simultaneous operation, cores and seed cells are removed while the rotary peeling heads peel the fruit.

An optional PBO (Pear Belt Orienter) is available to automatically orient and place the pears in the cups, thereby eliminating the need for an operator.

The Atlas Pacific Standard Pear Peeler is unmatched in efficiency of operation as well as in finished product yield. It is unique in preserving maximum flavor in processed fruit. With only slight modifications, this machine can also peel kiwis, apples, mangos, and other fruits.



*Stainless Steel Standard Pear Peeler
Machines bearing CE Mark are also available (shown)*



STANDARD PEAR PEELER

www.atlaspacific.com

TECHNICAL SPECIFICATIONS (APPROXIMATE)

	WITHOUT PBO	WITH PBO
CAPACITY	66 pears per minute	
DRIVES:		
Main	1-1/2 HP (1.12 Kw)	
Peeling	1/4 HP (0.37 Kw)	
PBO	N/A	1 HP (0.75 Kw)
WATER REQUIREMENT	Minimal	
AIR REQUIREMENT	1-1/3 CFM (0.04 Cu.M/minute)	
WEIGHT	3,000 lbs. (1364 Kg)	4,000 lbs. (1818 Kg)
EXPORT CRATED WEIGHT	3,500 lbs. (1590 Kg)	4,500 lbs. (2045 Kg)
CUBIC MEASUREMENT CRATED	291 cu.ft. (8.2 Cu.M)	376 cu.ft. (10.65 Cu.M)
DIAMETER RANGE	1 3/4" to 3 1/4" (44.5 mm to 82.6 mm)	

ATLAS PACIFIC
ENGINEERING COMPANY, INC.

ATLAS PACIFIC ENGINEERING COMPANY, INC.

#1 ATLAS AVENUE / P.O. BOX 500 • PUEBLO, CO 81002-0500 USA
719.948.3040 • FAX 719.948.3058

ATLAS WESTERN REGIONAL OFFICE

4500 NORTHSTAR WAY • MODESTO, CA 95356 USA
209.574.9884 • FAX 209.574.0192

ATLAS EASTERN REGIONAL OFFICE

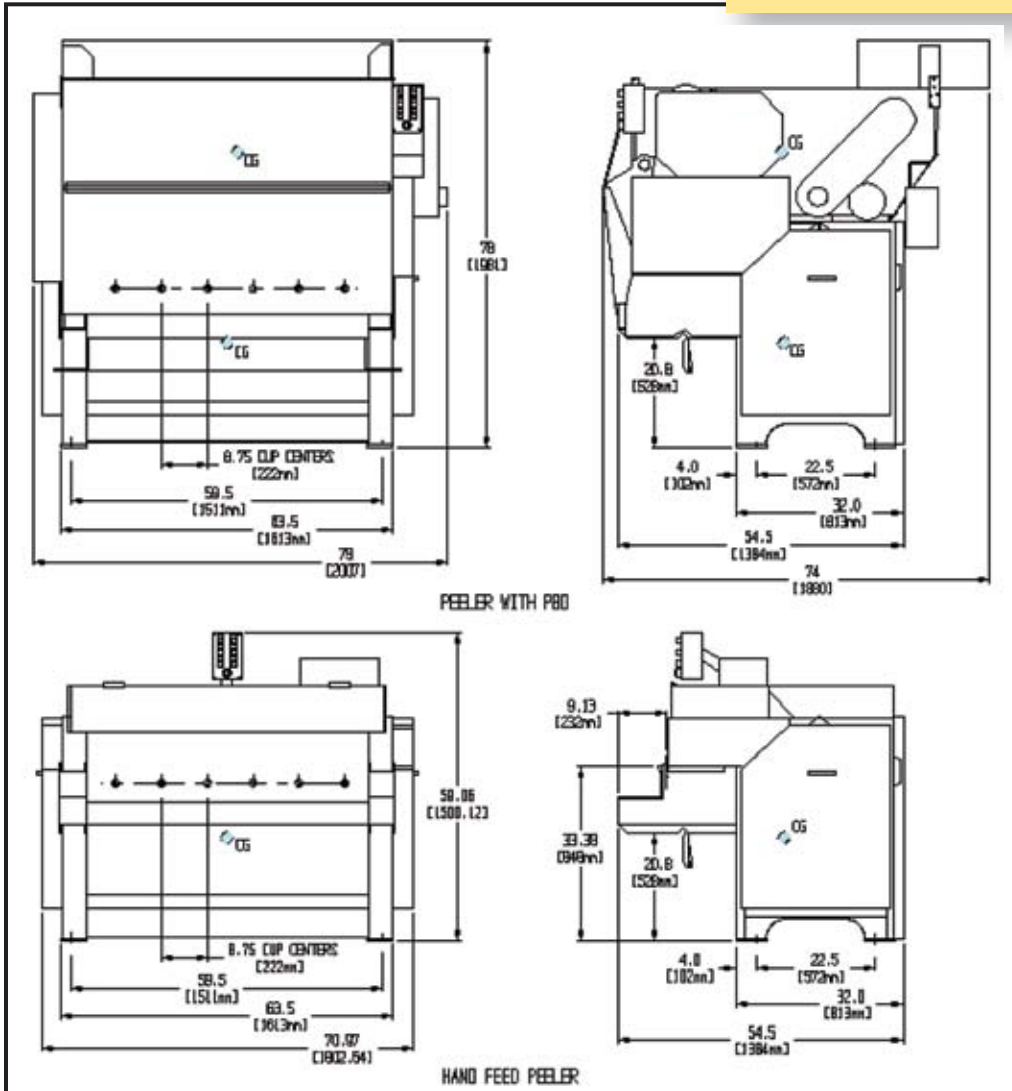
23 N. LOUDOUN • WINCHESTER, VA 22601 USA
540.662.9176 • FAX 540.662.9064

ATLAS PACIFIC EUROPE

VIA GADAMES, 130 • 20151 MILAN • ITALY
39.02.3800.5999 • FAX 39.02.3340.0370

ATLAS PACIFIC AUSTRALIA

78-80 STEWART ST. • SHEPPARTON, VICTORIA • AUSTRALIA, 3630
61.35.821.6988 • FAX 61.35.822.2854



Atlas Pacific, whose policy is to continuously improve its products, reserves the right to discontinue or change specifications without notice and without incurring obligation.

CE
UL 508A