

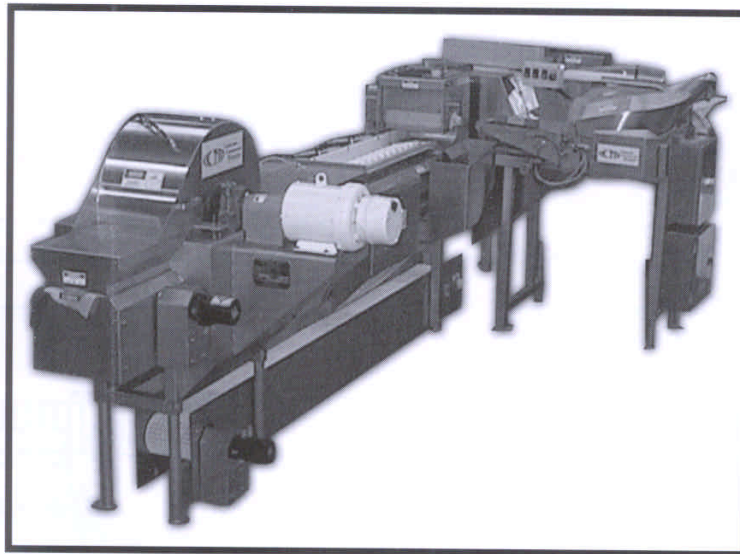
SEMI-AUTOMATIC COB SAW



SEMI-AUTOMATIC COB SAW

The Semi-Automatic Cob Saw has been developed as a labor saving alternative to manual cob saw lines. This exciting machine utilizes our Automatic Corn Orienter to provide singulation and orientation of corn ears. Our "patent pending" transfer assembly and roller conveyor sections of the unit ensure accurate mechanical centering of corn ears for sawing, thus making the unit simple to operate.

The unit firstly meters the product in-feed to maintain an even throughput and eliminate product surges (the unit is fed by a vibratory feeder in the same way the CCM Automatic Corn Cutter is fed). The ears are then singulated, orientated and presented "tip first" to our unique transfer assembly. The ears of corn are then gently transferred 90 degrees onto a tilted roller conveyor to be mechanically centered and rotated for manual inspection (for damage and quality parameters) before being sawed.



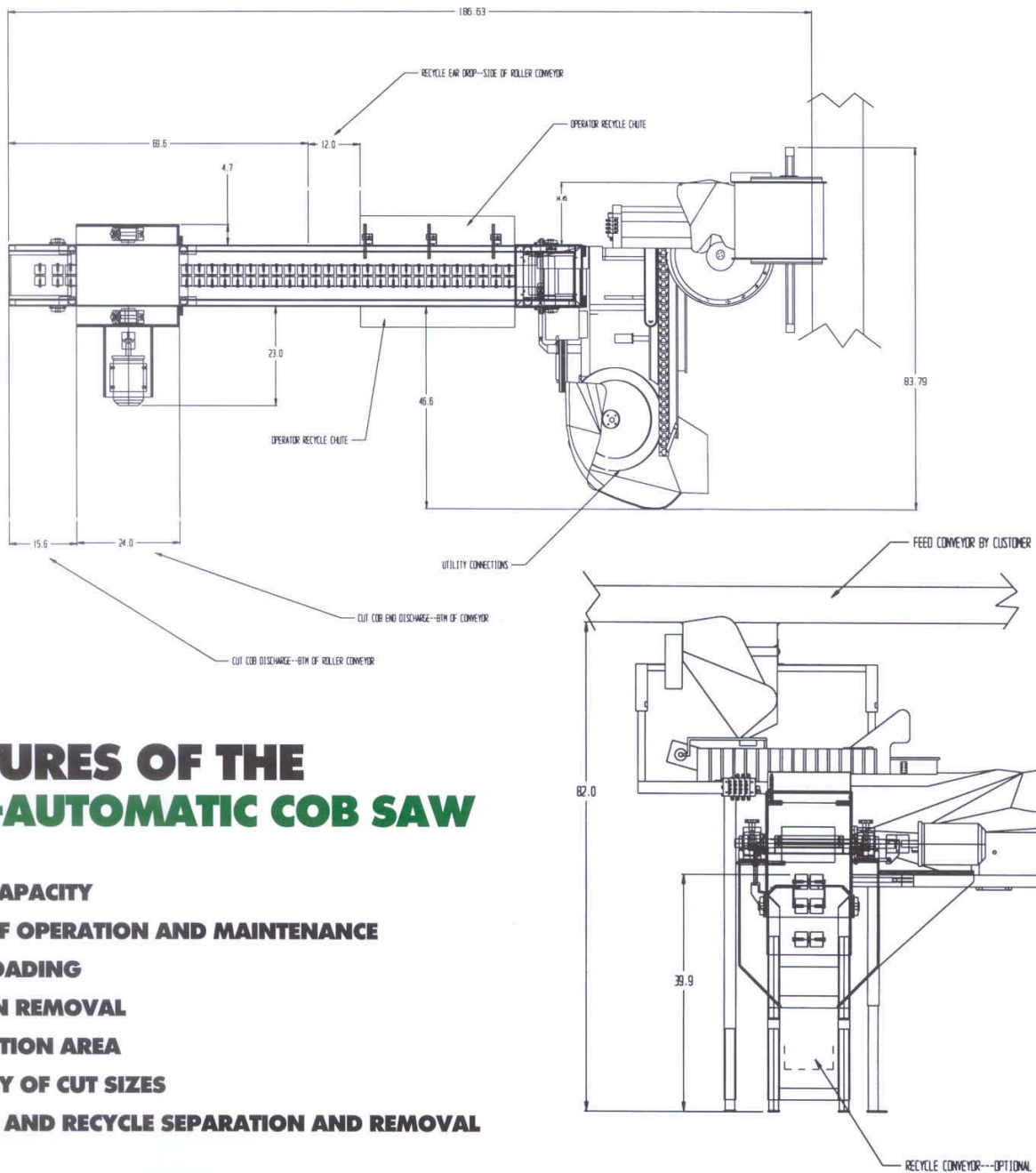
- **The machine can do cut sizes from 2" to 6".**
- **The unit is self-clearing with various drop options for recycled corn. A conveyor to discharge the recycled cobs to a takeaway conveyor is optional.**
- **Hydraulic requirements are 10.5 GPM at 1000psi.**
- **Standard Electrical Requirements are 230/460 V, 3 Phase, 60 Hz.**
- **Water Requirements are approximateley 6 GPM.**

COMPUTER CONTROLLED MACHINES *The Cutting Edge!*

P.O. BOX 590 PUEBLO, COLORADO 81002 USA



SEMI-AUTOMATIC COB SAW



FEATURES OF THE SEMI-AUTOMATIC COB SAW

- HIGH CAPACITY
- EASE OF OPERATION AND MAINTENANCE
- SELF LOADING
- NUBBIN REMOVAL
- INSPECTION AREA
- VARIETY OF CUT SIZES
- WASTE AND RECYCLE SEPARATION AND REMOVAL

For further information please call Magnuson/CCM at (719) 948-9500 or speak to your regional CCM representative.

1 MAGNUSON AVE P.O. BOX 590
PHONE (719) 948 - 9500

PUEBLO, CO 81002 USA
FAX (719) 948 - 9540
sales@magnusoncorp.com